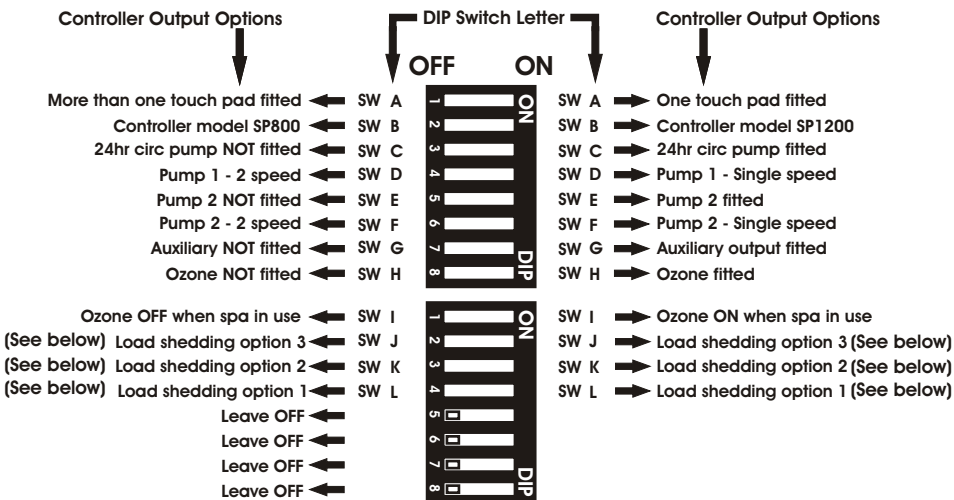


SPA-QUIP Ltd SPA POWER 1200 SETUP GUIDE

SP1200 CONFIGURATION:

IMPORTANT: THE SPA WILL NOT WORK CORRECTLY IF THESE SETTINGS ARE WRONG.
The SP1200 controller has twelve selectable options controlled by DIP switches on the circuit board. It is important that the pool builder/installer understands these and sets them correctly according to the accessories connected to the SP1200.



Load shed settings			Load Shedding	
DIP Switch J L/S option 3	DIP Switch K L/S option 2	DIP Switch L L/S option 1	SP1200 HTR 1	HTR 2
OFF	OFF	OFF	-	-
OFF	OFF	ON	6	-
OFF	ON	OFF	5	-
OFF	ON	ON	4	-
ON	OFF	OFF	3	5
ON	OFF	ON	3	4
ON	ON	OFF	2	3
ON	ON	ON	1	2

First number = Number of pump/aux/blower loads switched ON to load shed the first heater element (Htr1).
Second number = Number of pump/aux/blower loads switched ON to load shed the second heater element (Htr 2).
2 speed pumps on low and circulation pump are ignored in the load count.
SPVSB ON any speed counts as one load.

IMPORTANT NOTE: IT IS THE POOL BUILDER AND INSTALLERS RESPONSIBILITY TO ENSURE THAT THE SP1200 IS NOT OVER LOADED, BY ENABLING THE LOADSHEDDING IF NECESSARY. THE CURRENT DRAW OF EVERY POOL SHOULD BE MEASURED WITH THE MAXIMUM POSSIBLE LOADS TURNED ON.

Electrical:

1. The spa pool must be connected to a suitable weather protected supply, equipped with a double pole isolating switch, of the correct rating and complying with local wiring regulations.
2. When installing refer to your local wiring code. In particular refer to ECP2 and ECP25 (AUS / NZ). Or EN 60364-4-1 and EN 60364-7-1 (EU).
3. The system must be installed so that live parts are not accessible by a person in the pool.

Plumbing:

1. When connecting pipework to the heater make sure the 'O' rings are properly seated in the mac union fitting. Hand tighten only. Using tools will distort the fittings.
2. Fitting valves is recommended so the controller can be removed for service without the loss of water.
3. Make sure the controller is mounted securely so that vibration is minimised.

Label part No : 916679